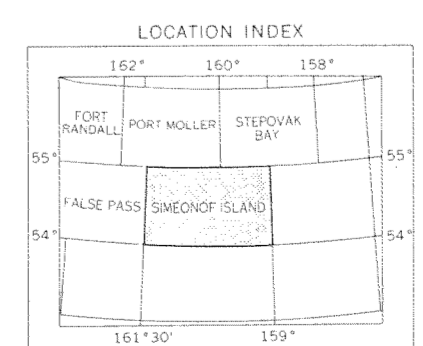
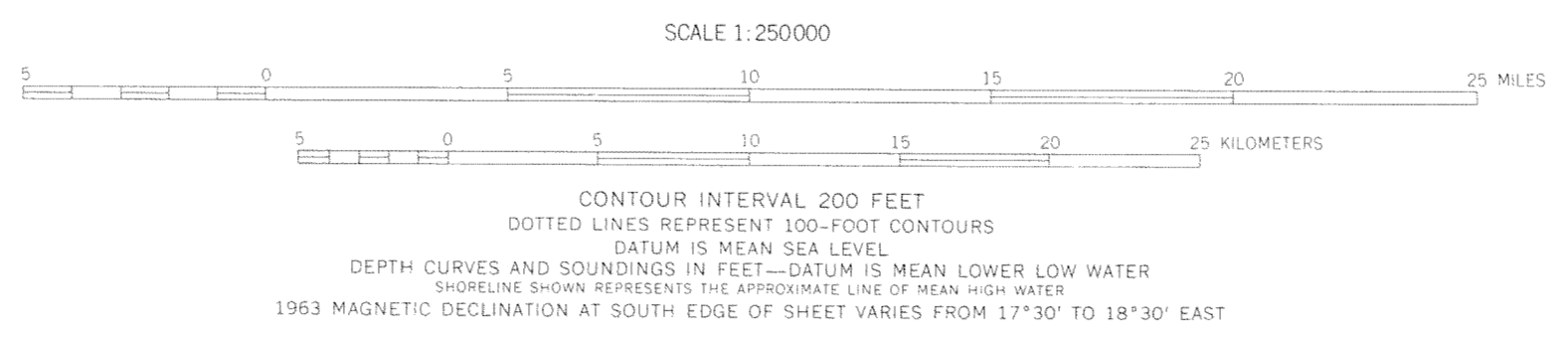


MAPPED, EDITED, AND PUBLISHED BY THE GEOLOGICAL SURVEY  
CONTROL BY USGS AND USC&GS  
COMPILED IN 1966 FROM U.S. GEOLOGICAL SURVEY 1:63,360 SCALE MAPS,  
SURVEYED IN 1963. MAP NOT FIELD CHECKED.  
SELECTED HYDROGRAPHIC DATA COMPILED FROM USC&GS  
CHARTS 8851 (1967) AND 8859 (1964).  
THIS INFORMATION IS NOT INTENDED FOR NAVIGATIONAL PURPOSES.  
UNIVERSAL TRANSVERSE MERCATOR PROJECTION. 1927 NORTH AMERICAN DATUM  
100,000-FOOT GRIDS BASED ON ALASKA COORDINATE SYSTEM, ZONES 7 AND 6  
10,000-METER UNIVERSAL TRANSVERSE MERCATOR GRID TICKS,  
ZONE 4, SHOWN IN BLUE.  
LANDLINES REPRESENT UNSURVEYED AND UNMARKED LOCATIONS  
PREDETERMINED BY THE BUREAU OF LAND MANAGEMENT.  
FOLIO S-30, SEWARD MERIDIAN.

DATE	ADDITIONS	BY



FOR SALE BY U.S. GEOLOGICAL SURVEY  
FAIRBANKS, ALASKA 99701, DENVER, COLORADO 80225, OR WASHINGTON, D.C. 20242  
A FOLDER DESCRIBING TOPOGRAPHIC MAPS AND SYMBOLS IS AVAILABLE ON REQUEST

TRAIL INVENTORY 9-12-73

SIMEONOF ISLAND, ALASKA  
N5400—W15900/60X150  
1963