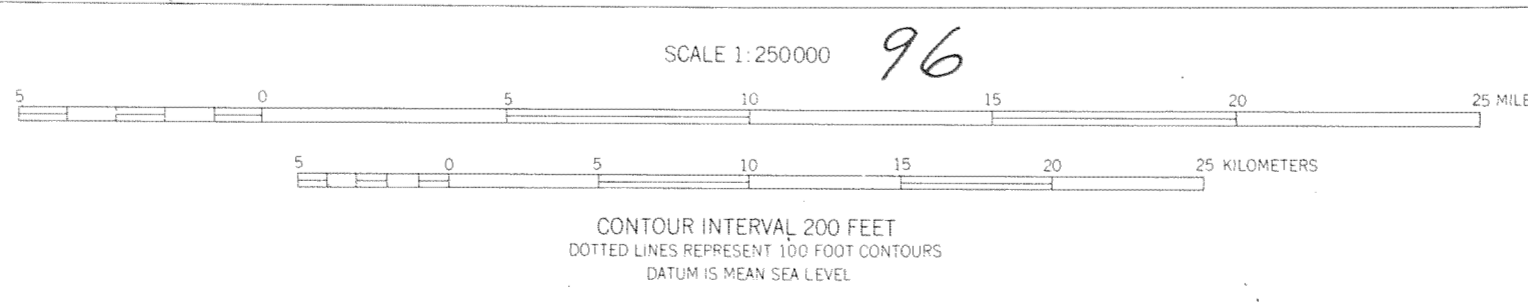


110

108

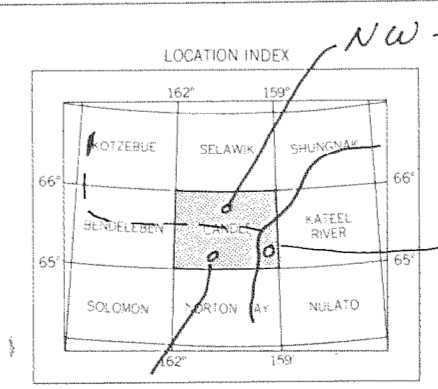
MAPPED, EDITED, AND PUBLISHED BY THE GEOLOGICAL SURVEY
CONTROL BY USGAS AND USGS
COMPILED IN 1960 FROM U.S. GEOLOGICAL SURVEY 1:63,360 SERIES MAPS,
SURVEYED 1954 AND FROM ARMY MAP SERVICE 1:50,000 SERIES MAPS,
SURVEYED 1955. MAP NOT FIELD CHECKED.
UNIVERSAL TRANSVERSE MERCATOR PROJECTION, 1927 NORTH AMERICAN DATUM
100,000 FOOT GRID BASED ON ALASKA COORDINATE SYSTEM, ZONE 7
10,000 METER UNIVERSAL TRANSVERSE MERCATOR GRID TICKS
ZONE 4, SHOWN IN BLUE
LAND LINES REPRESENT UNSURVEYED AND UNMARKED LOCATIONS
PRE-DETERMINED BY THE BUREAU OF LAND MANAGEMENT
FOLIOS K.7 AND K.12, KATEEL RIVER MERIDIAN
SWAMPS AS PORTRAYED, INDICATE ONLY THE WETTER AREAS
USUALLY OF LOW RELIEF, AS INTERPRETED FROM AERIAL PHOTOGRAPHS

DATE	ADDITIONS	BY



1955 MAGNETIC DECLINATION AT SOUTH EDGE OF SHEET VARIES FROM 19°30' TO 21°30' EAST
THIS MAP IS AVAILABLE IN BOTH SHADED RELIEF AND CONTOUR EDITIONS
FOR SALE BY U.S. GEOLOGICAL SURVEY
FAIRBANKS, ALASKA, 99701, DENVER, COLORADO 80225, OR WASHINGTON, D.C. 20242
A FOLDER DESCRIBING TOPOGRAPHIC MAPS AND SYMBOLS IS AVAILABLE ON REQUEST

TRAIL INVENTORY 9-12-73



FROM THE VAULT
NW - Norton Sound

B121

ROAD CLASSIFICATION
LIGHT DUTY

CANDLE, ALASKA
N6500-W15900/60K180
1955
MINOR REVISIONS 1967

109

LAI