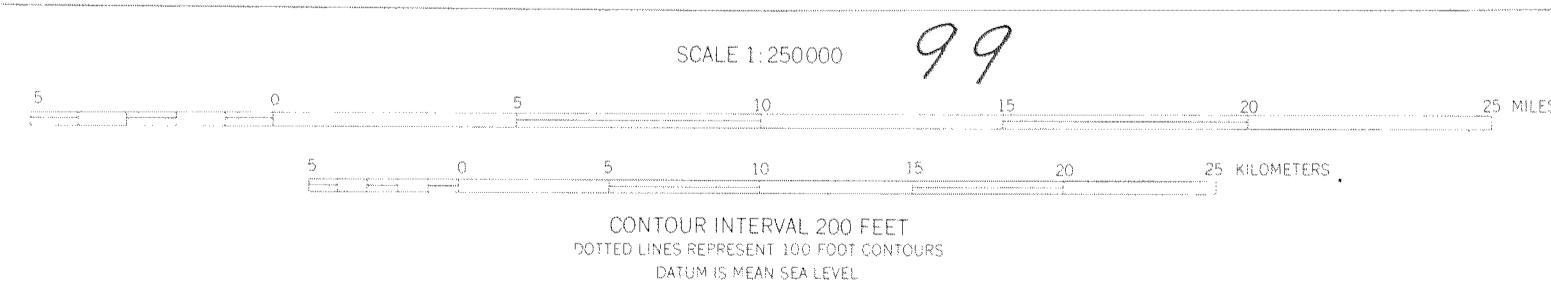


107

105

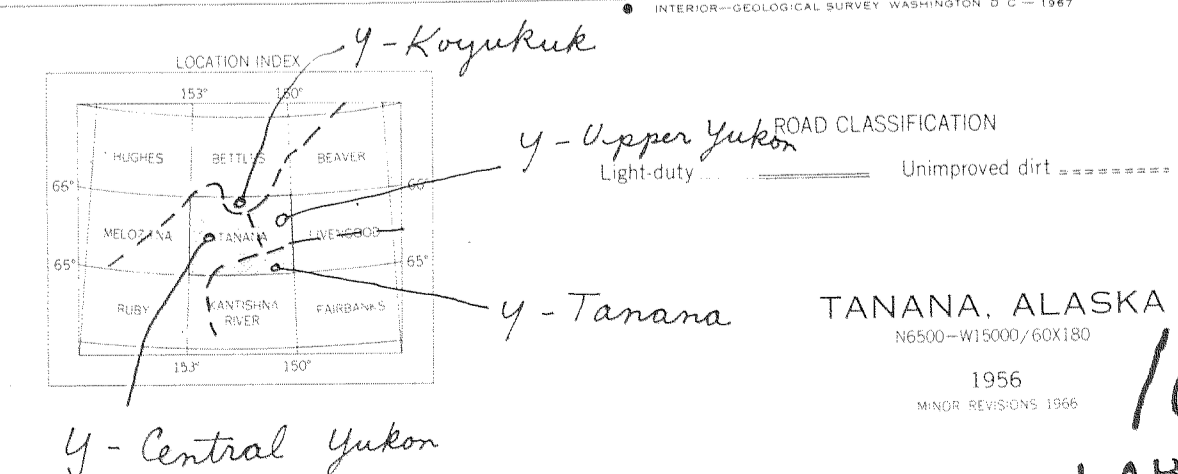
MAPPED, EDITED, AND PUBLISHED BY THE GEOLOGICAL SURVEY  
CONTROL BY 6165 AND USCG&S  
COMPILED IN 1969 FROM U.S. GEOLOGICAL SURVEY 1:63,360 SERIES MAPS,  
SURVEYED 1952 AND 1956. MAP NOT FIELD CHECKED.  
UNIVERSAL TRANSVERSE MERCATOR PROJECTION, 1927 NORTH AMERICAN DATUM,  
100,000 FOOT GRID (BASED ON ALASKA COORDINATE SYSTEM, ZONES 4 AND 5  
10,000 METER UNIVERSAL TRANSVERSE MERCATOR GRID TICS,  
ZONE 5, SHOWN IN BLUE.  
LAND LINES REPRESENT UNSURVEYED AND UNMARKED LOCATIONS  
PREDETERMINED BY THE BUREAU OF LAND MANAGEMENT,  
FOLIOS 5 AND 14, FAIRBANKS MERIDIAN.  
SWAMP AS NOTED; INDICATE ONLY THE WETTER AREAS  
VISUALLY OF LOW RELIEF, AS INTERPRETED FROM AERIAL PHOTOGRAPHS.

DATE	ADDITIONS	BY



CONTOUR INTERVAL 200 FEET  
DOTTED LINES REPRESENT 100 FOOT CONTOURS  
DATUM IS MEAN SEA LEVEL  
1956 MAGNETIC DECLINATION AT SOUTH EDGE OF SHEET VARIES FROM 26° TO 27° 30' EAST  
THIS MAP IS AVAILABLE IN BOTH SHADED RELIEF AND CONTOUR EDITIONS  
FOR SALE BY U.S. GEOLOGICAL SURVEY  
FAIRBANKS, ALASKA, 99701, DENVER, COLORADO 80225, OR WASHINGTON, D.C. 20242  
A FOLDER DESCRIBING TOPOGRAPHIC MAPS AND SYMBOLS IS AVAILABLE ON REQUEST

TRAIL INVENTORY 9-12-73



TANANA, ALASKA  
N6500-W15000/60X180  
1956  
MINOR REVISIONS 1966

106  
LAB COPY