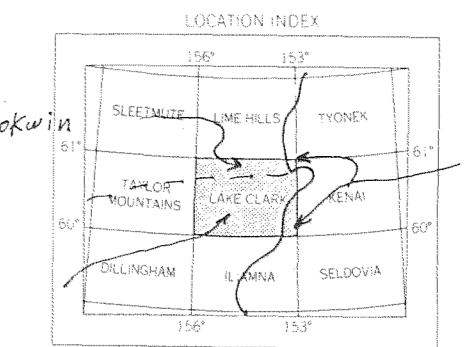
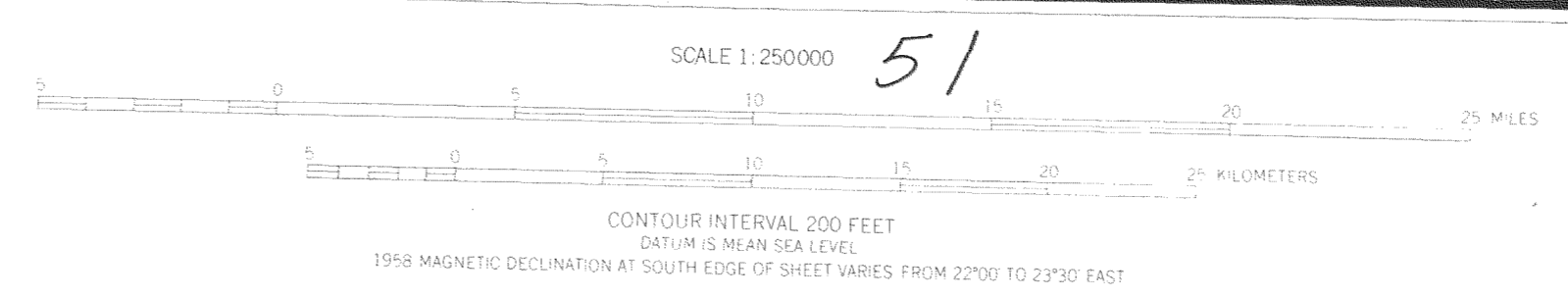


60

62

MAPPED, EDITED, AND PUBLISHED BY THE GEOLOGICAL SURVEY  
CONTROL BY USGS, USCGS, AND USMC  
COMPILED IN 1966 FROM U.S. GEOLOGICAL SURVEY 1:63,360 SCALE MAPS  
AND FROM ARMY MAP SERVICE 1:50,000 SERIES MAPS SURVEYED 1953-1958  
MAP NOT FIELD CHECKED  
UNIVERSAL TRANSVERSE MERCATOR PROJECTION, 1927 NORTH AMERICAN DATUM  
100,000 FEET GRID BASED ON ALASKA COORDINATE SYSTEM ZONE 5  
10,000 METER UNIVERSAL TRANSVERSE MERCATOR GRID TONS  
ZONE 5 SHOWN IN BLUE  
LAND OWNERSHIP NOT INSUREYED AND UNMARKED LOCATIONS  
PRESENTED BY THE BUREAU OF LAND MANAGEMENT  
FOLIOS S. 1, 5, 12, 5, 17 AND S. 18, SEWARD MERIDIAN  
SWAMPS, AS PORTRAYED, INDICATE ONLY THE WETTER AREAS  
USUALLY OF LOW RELIEF, AS INTERPRETED FROM AERIAL PHOTOGRAPHS

DATE	ADDITIONS	BY



SW-Kuskokwim  
SW-Bristol Bay  
SC-Cook Inlet

THIS MAP IS AVAILABLE IN BOTH SHADDED RELIEF AND CONTOUR EDITIONS  
FOR SALE BY U.S. GEOLOGICAL SURVEY  
FAIRBANKS, ALASKA, 99701, DENVER, COLORADO 80225, OR WASHINGTON, D.C. 20242  
A FOLDER DESCRIBING TOPOGRAPHIC MAPS AND SYMBOLS IS AVAILABLE ON REQUEST

TRAIL INVENTORY 9-12-73

LAKE CLARK, ALASKA  
1965G - 915-300/60M

1958  
61