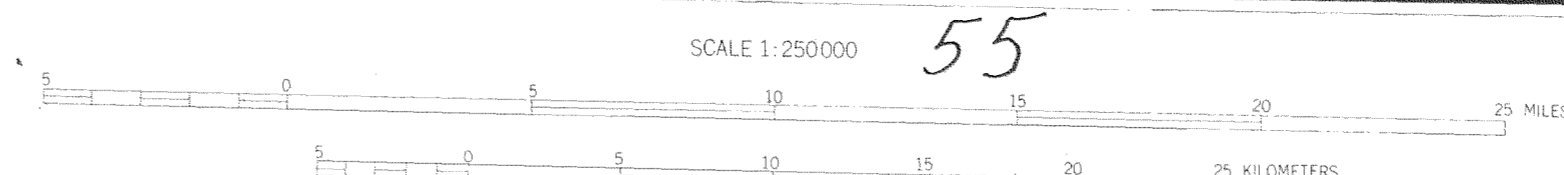




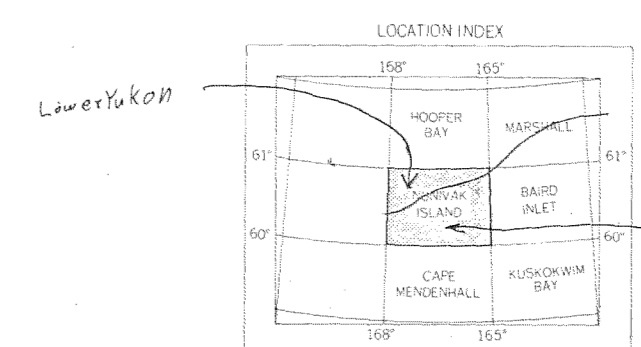
58

MAPPED, EDITED, AND PUBLISHED BY THE GEOLOGICAL SURVEY
CONTROL BY USCS65
COMPILED IN 1960 FROM ARMY MAP SERVICE 1:250,000 SERIES MAPS AND MANUSCRIPTS
SURVEYED 1942 AND 1954. MAP 107 FIELD CHECKED
SELECTED HYDROGRAPHIC DATA COMPILED FROM USCS & GS CHART 1302 (1958)
AND TOPOGRAPHIC SURVEYS (1959). THIS INFORMATION IS NOT INTENDED
FOR NAVIGATIONAL PURPOSES
UNIVERSAL TRANSVERSE MERCATOR PROJECTION
1927 NORTH AMERICAN DATUM
10,000-METER UNIVERSAL TRANSVERSE MERCATOR GRID TICS
ZONE 3, SHOWN IN BLUE
LAND LINES REPRESENT UNSURVEYED AND UNMARKED LOCATIONS
PREDETERMINED BY THE BUREAU OF LAND MANAGEMENT
POLDS S. 8 AND S. 20, SENARD MERIDIAN

DATE	ADDITIONS	BY



CONTOUR INTERVAL 100 FEET
DOTTED LINES REPRESENT 50 FOOT CONTOURS
EARTH IS MEAN SEA LEVEL
DEPTH CURVES IN FEET DATUM IS MEAN LOWER LOW WATER
SHORELINE SHOWN REPRESENTS THE APPROXIMATE LINE OF FRESH-WATER
1960 MAGNETIC DECLINATION AT SOUTH EDGE OF SHEET VARIES FROM 14°30' TO 16°30' EAST
THIS MAP IS AVAILABLE IN BOTH SHARDED RELIEF AND CONTOUR EDITIONS
FOR SALE BY U.S. GEOLOGICAL SURVEY
FAIRBANKS, ALASKA DENVER 25, COLORADO WASHINGTON 25, D. C.
A FOLDER DESCRIBING TOPOGRAPHIC MAPS AND SYMBOLS IS AVAILABLE ON REQUEST



NUNIVAK ISLAND, ALASKA
N6000-016500/60180

TRAIL INVENTORY 9-12-73 Bin 177 A956

57